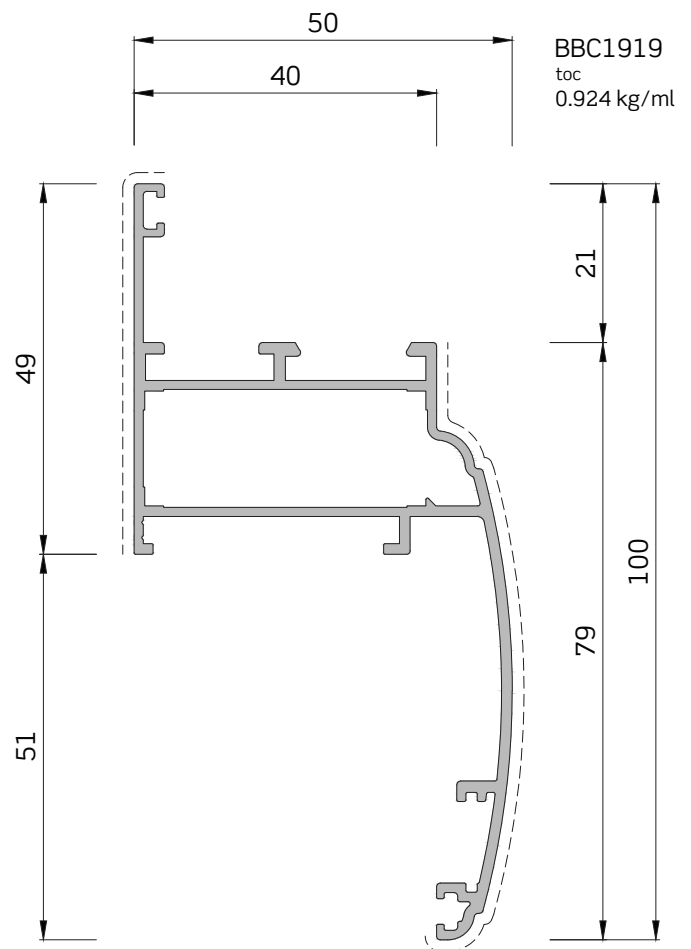
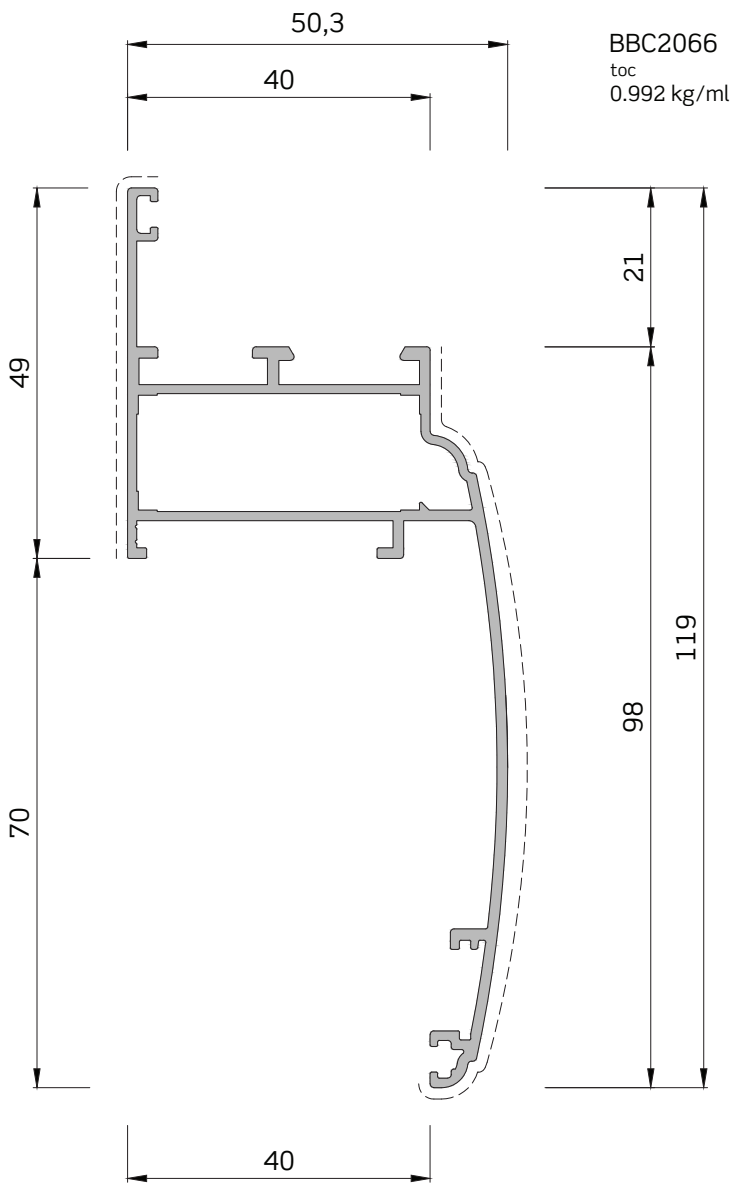
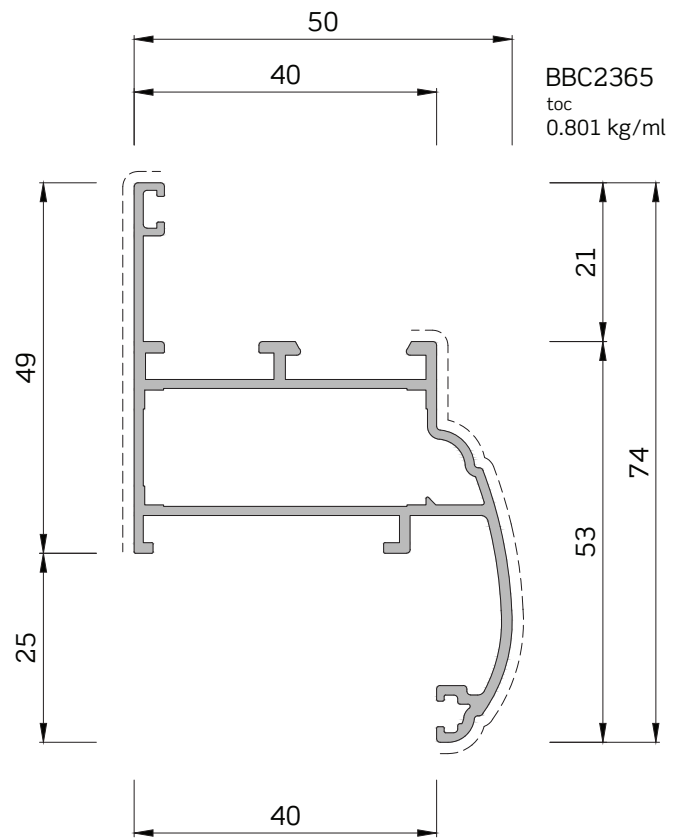
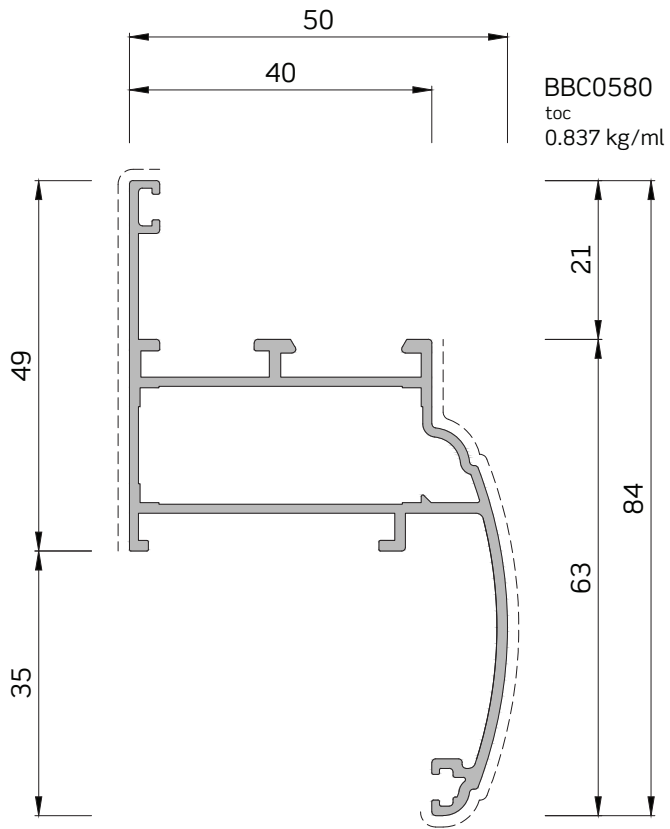




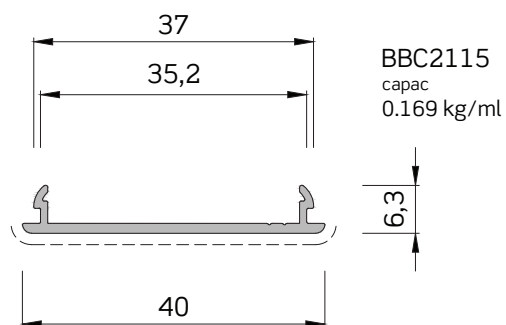
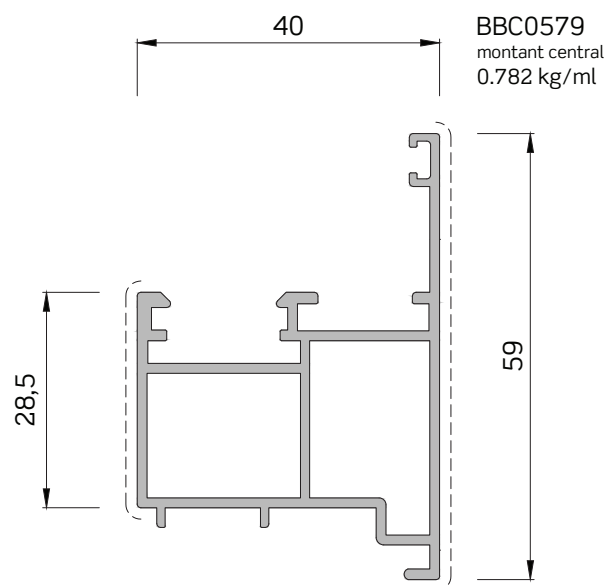
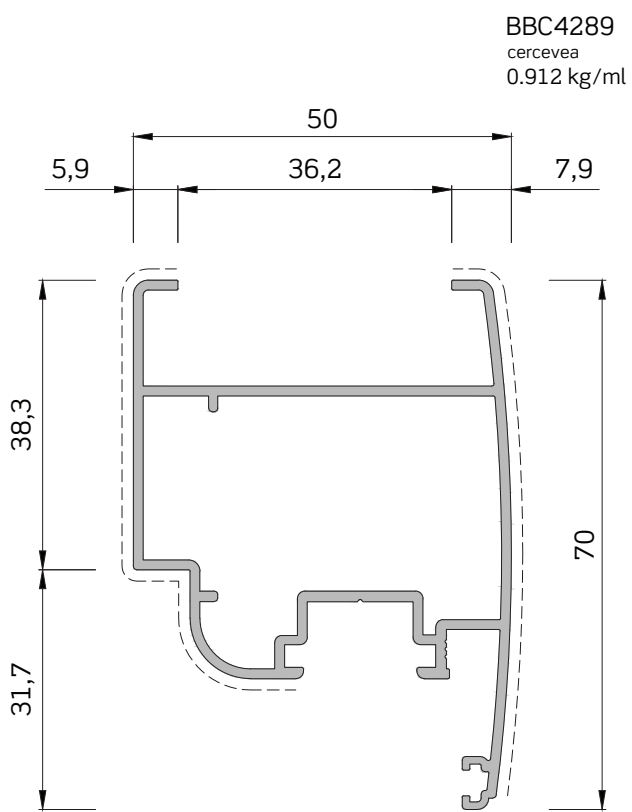
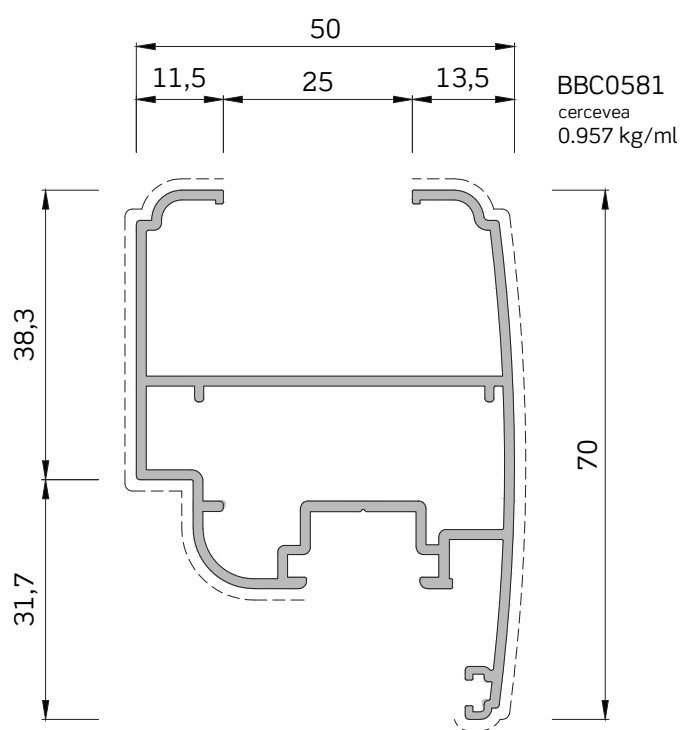
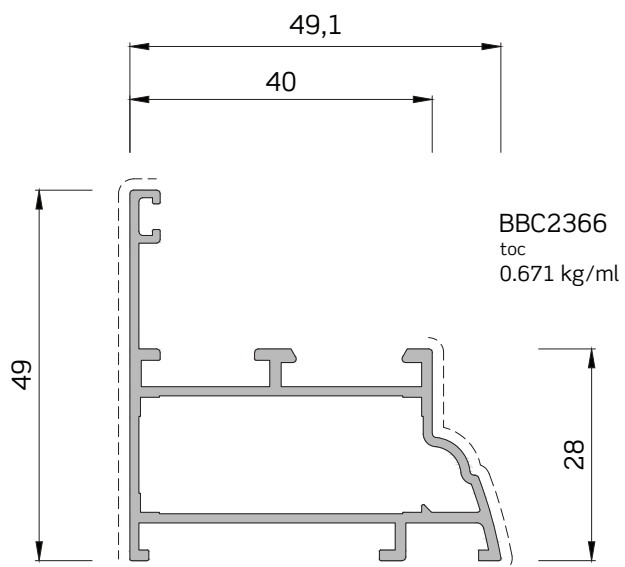
OBLOANE **SUKI**

SLIM

Profile (scala 1:1)

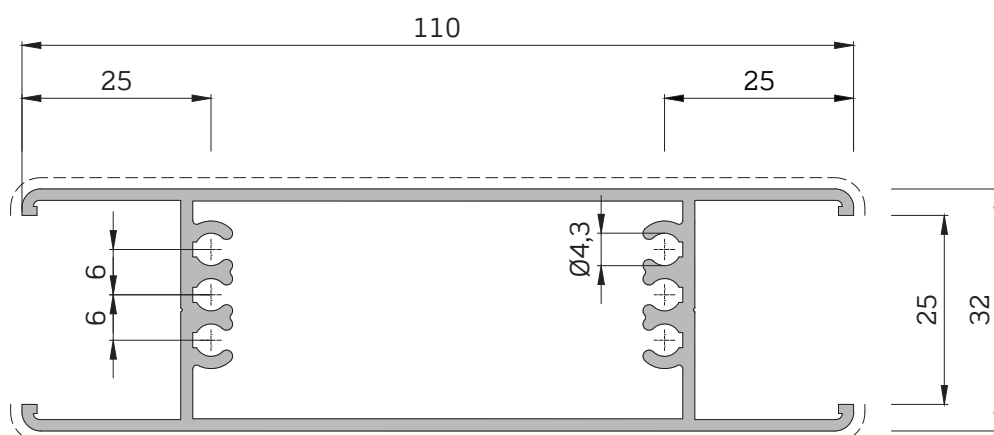


Profile (scala 1:1)

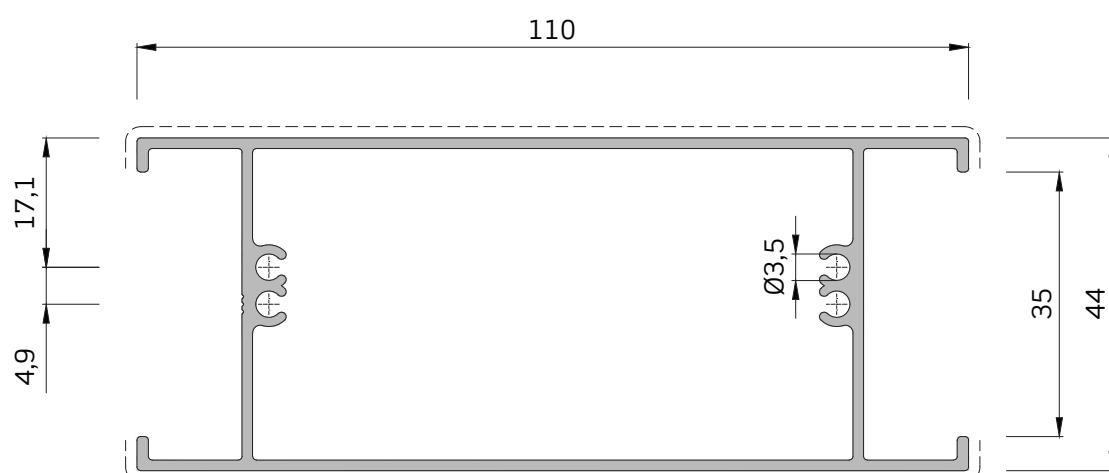


Profili (scala 1:1)

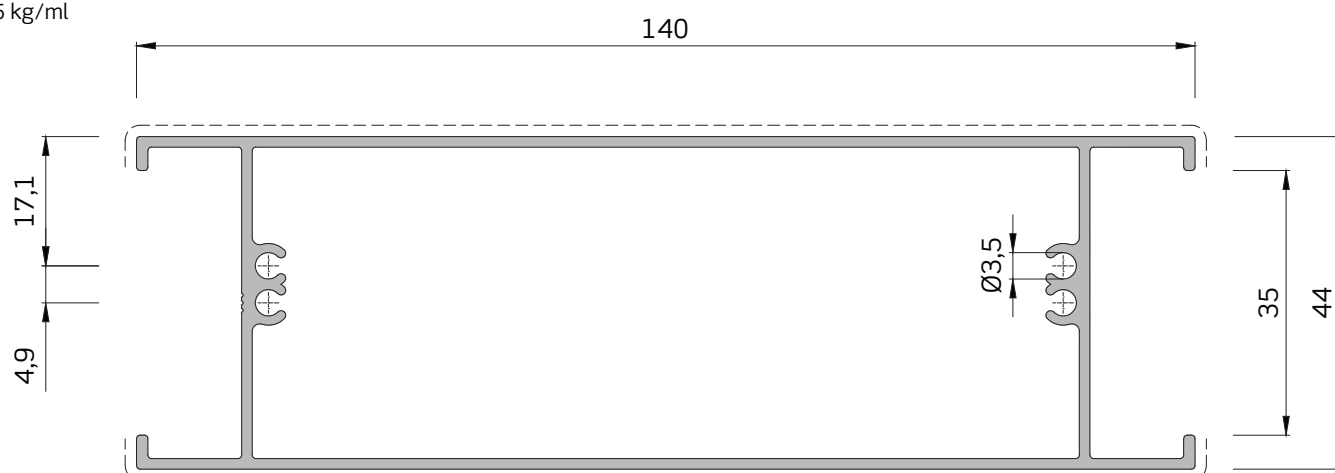
BBC0281
lamela
1.448 kg/ml



BBC4254
lamela
1.320 kg/ml



BBC4255
lamela
1.545 kg/ml



BBC0099
lamela
1.506 kg/ml

