

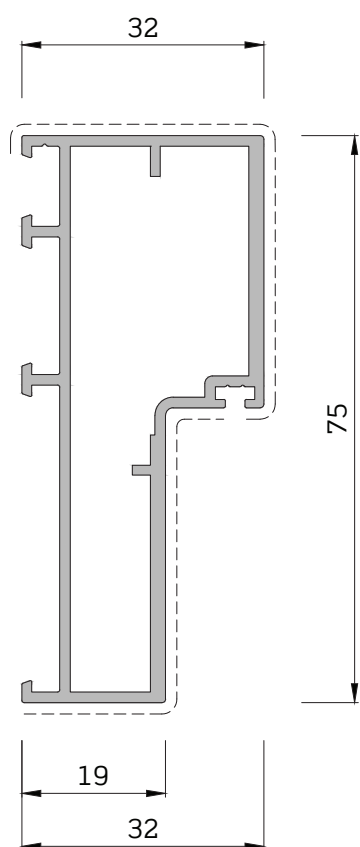


OBLOANE **SUKI**

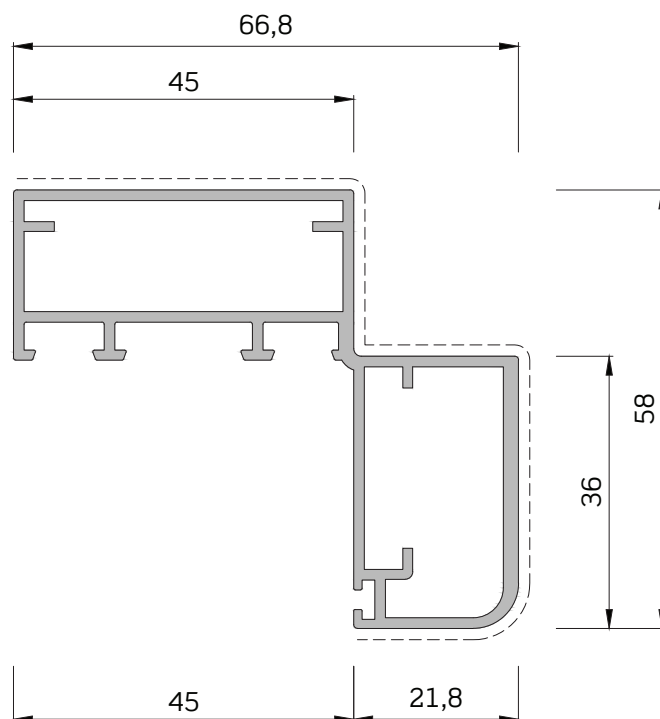
SCURETTO

Profile (scala 1:1)

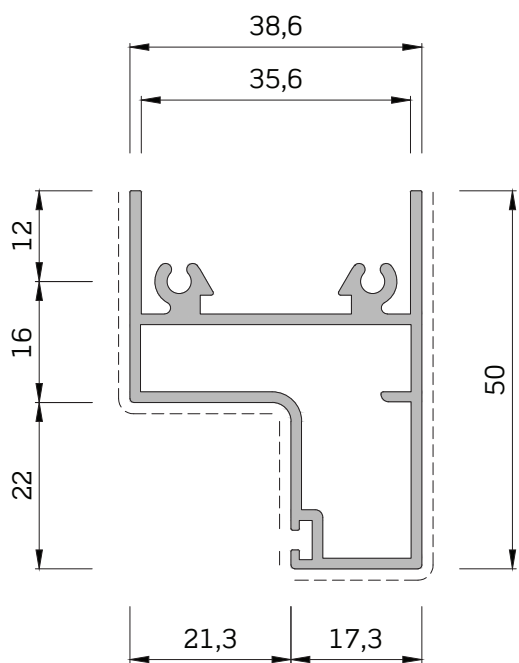
BBC2141
toc
0.992 kg/ml



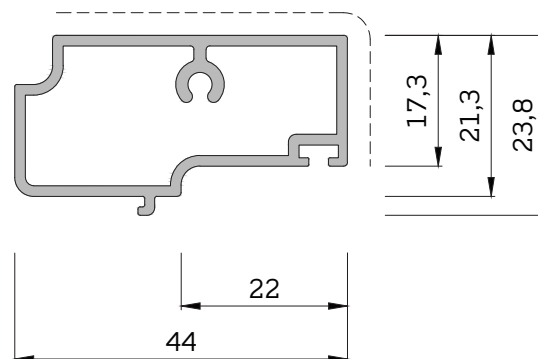
BBC2148
toc
1.099 kg/ml



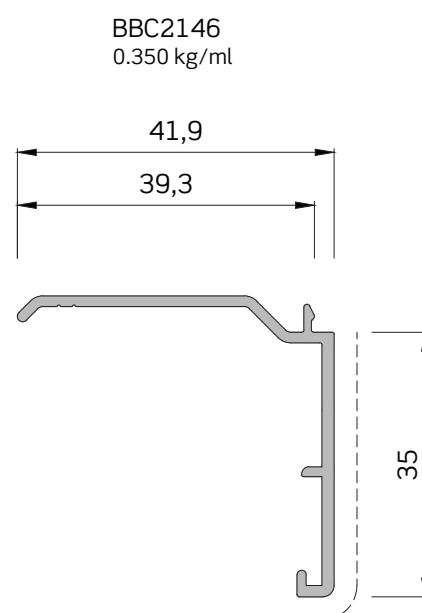
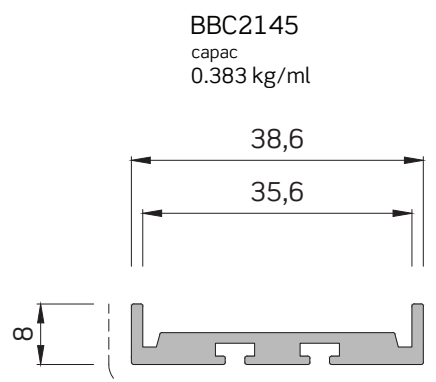
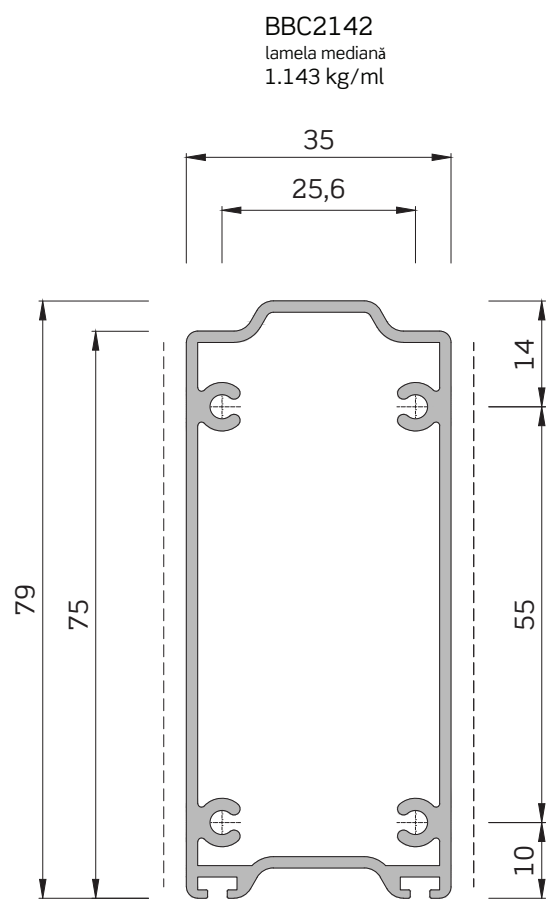
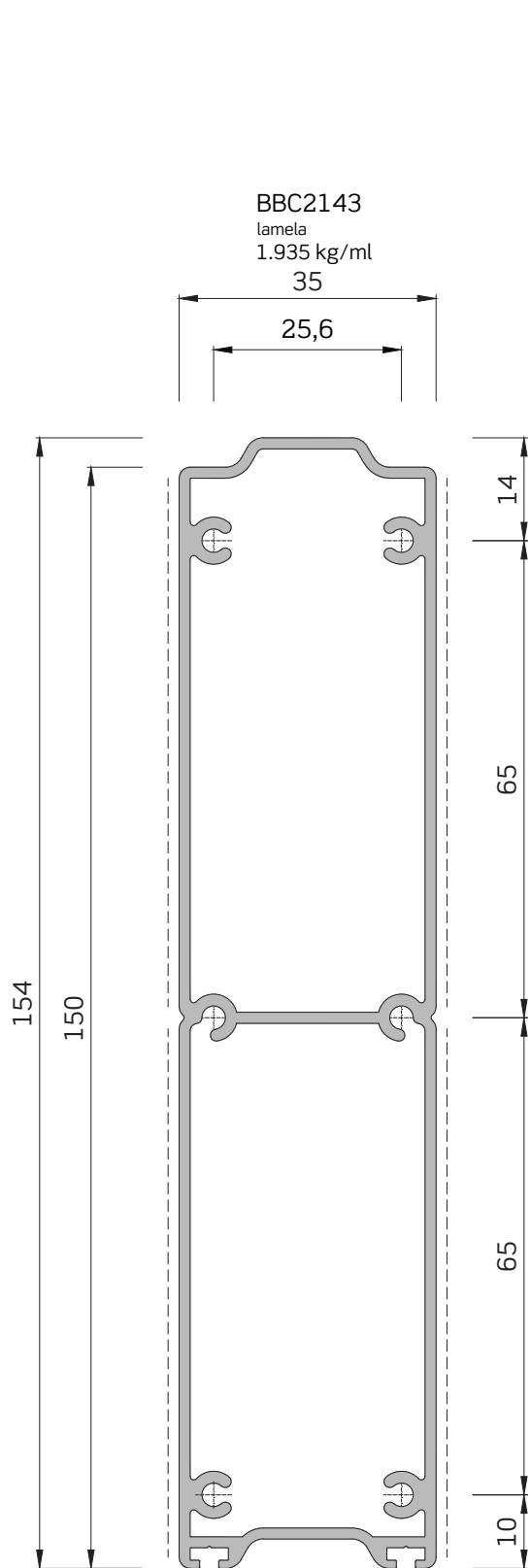
BBC2144
cercevea
0.832 kg/ml

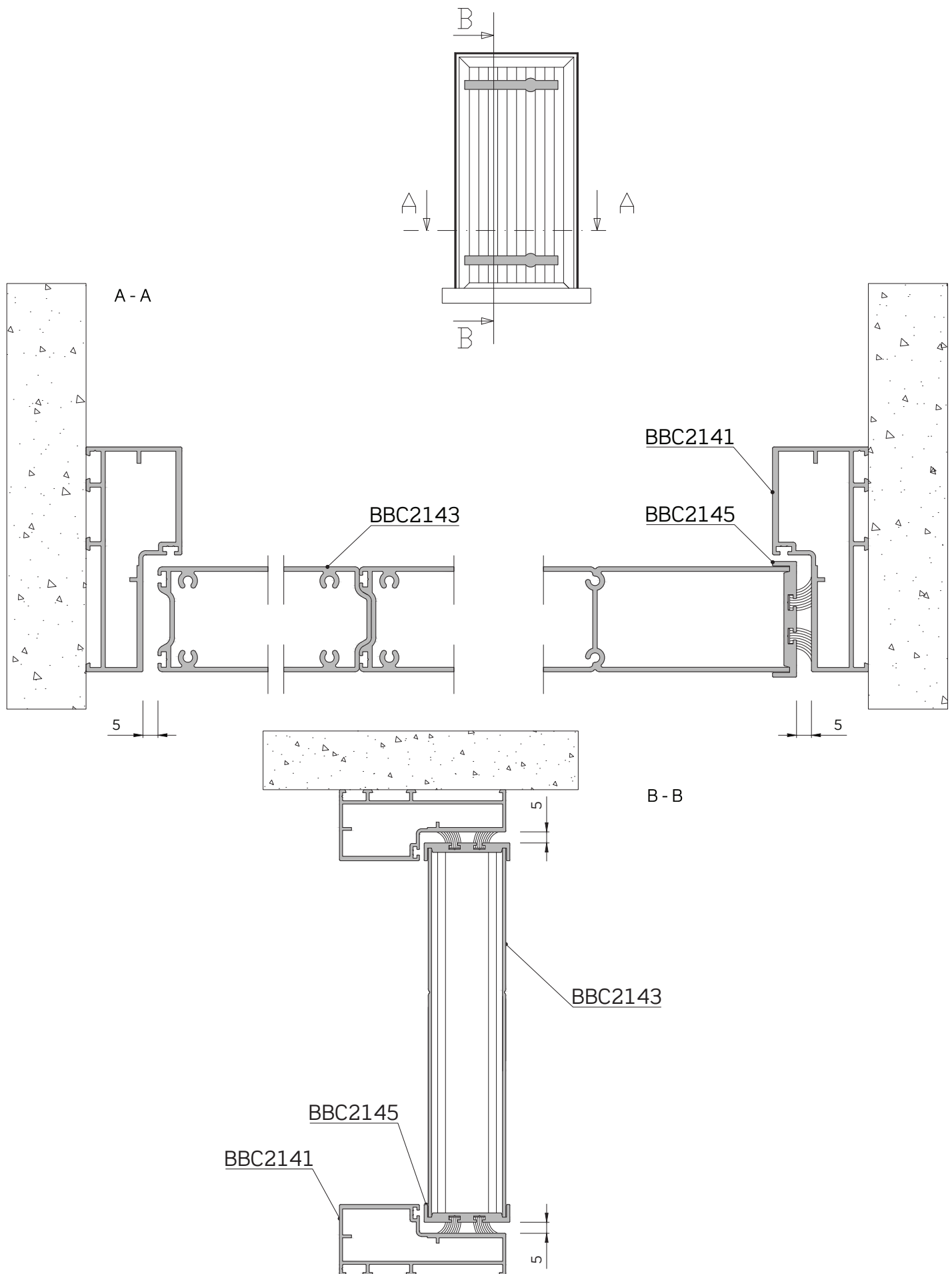


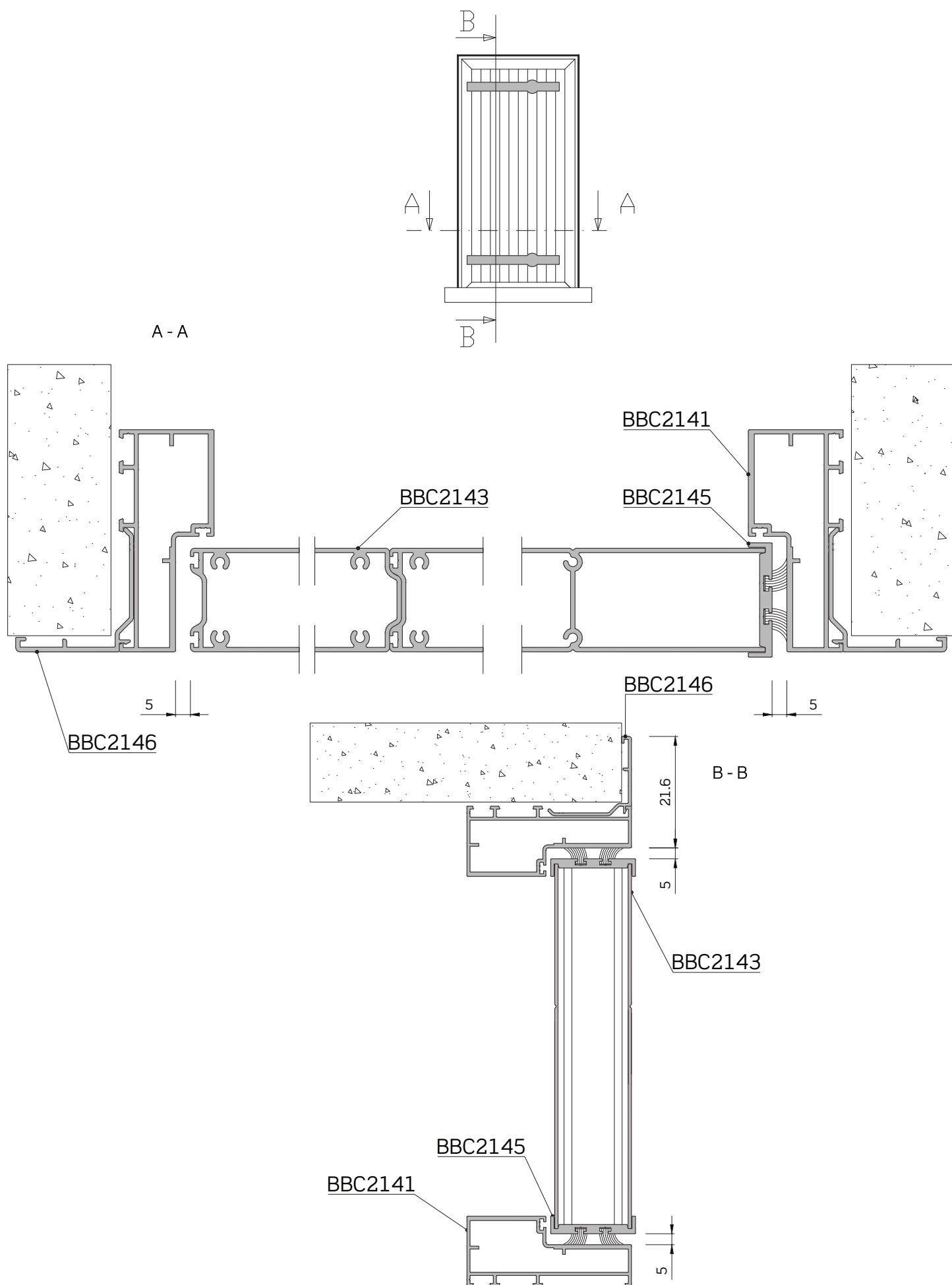
BBC2147
RIPORTO CENTRALE
0.552 kg/ml

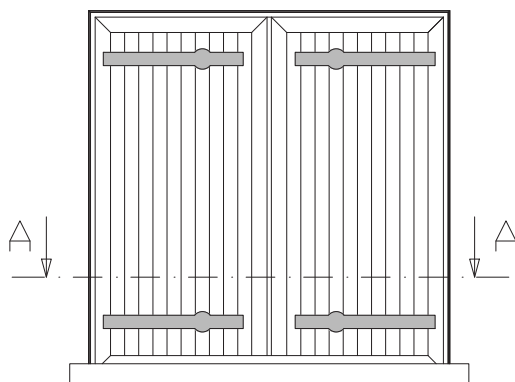


Profile (scala 1:1)

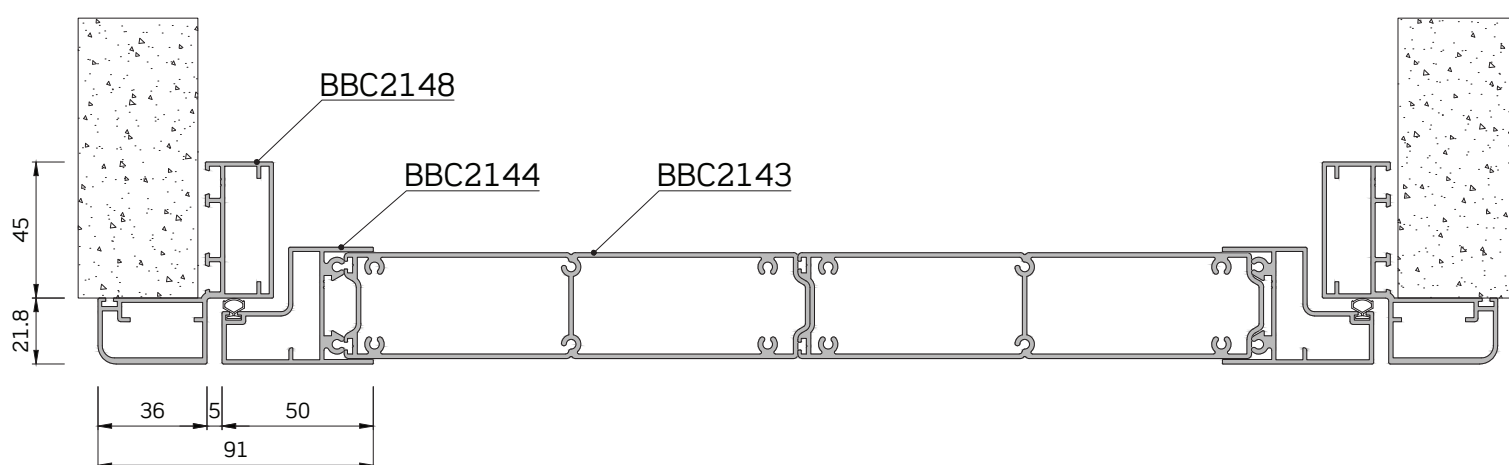








A - A



A - A II

